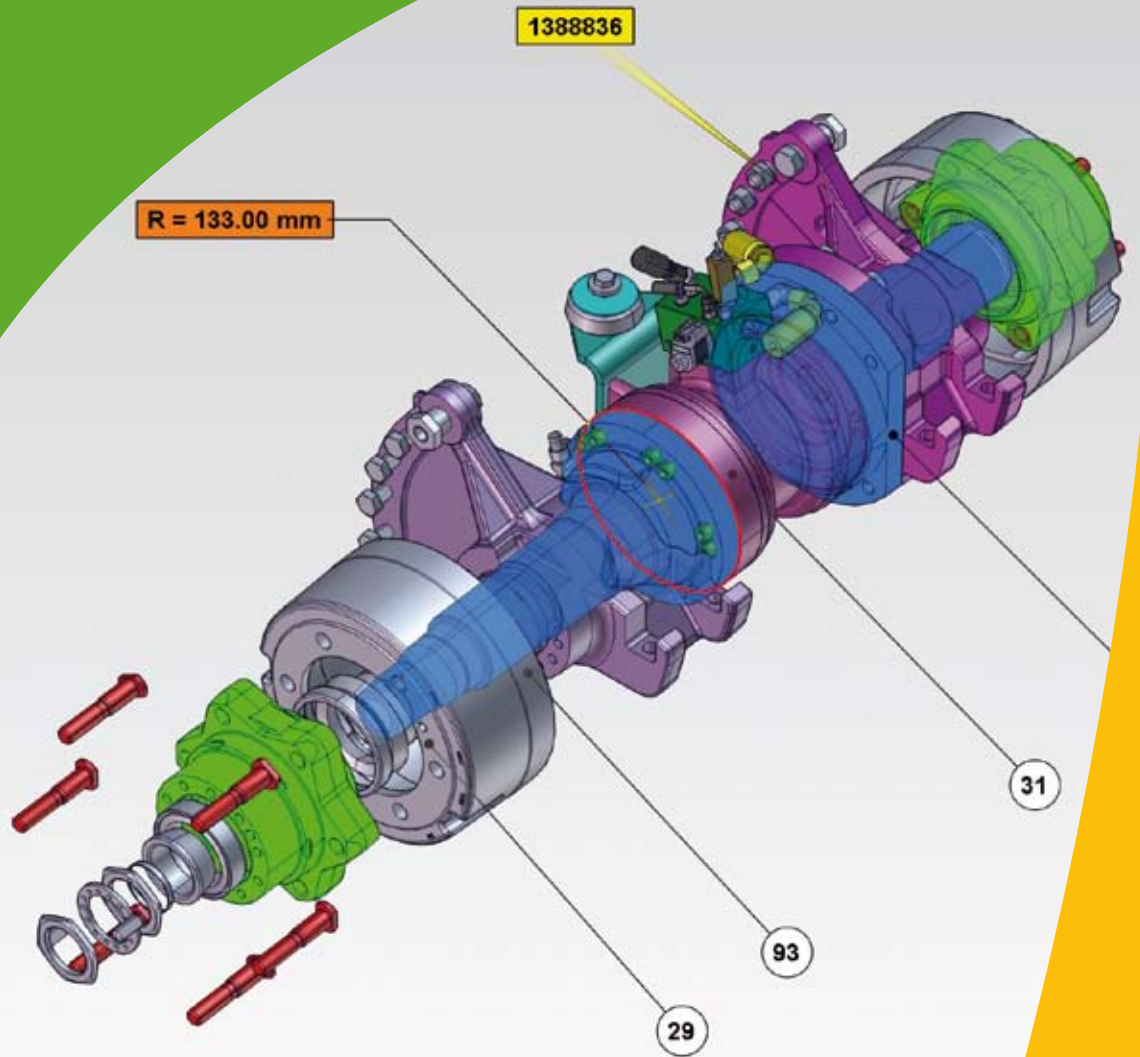




# REVOLUTIONIZE PRODUCT PUBLISHING WITH 3DVIA COMPOSER





## 3DVIA Composer delivers product information everywhere

### 3DVIA Composer revolutionizes the product documentation process for enterprises of all sizes.

With its easy-to-use, desktop content-creation system, 3DVIA Composer quickly and easily automates creation of assembly and disassembly procedures, technical illustrations, interactive and animated 3D procedures, training materials, marketing materials, sales tools and more.

Based on a lightweight, open, XML-based architecture, 3DVIA Composer allows non-technical users to create associative 2D and 3D product deliverables directly from digital product data. End users can seamlessly incorporate bills-of-material (BOM) data in their output deliverables.

3DVIA Composer support users in sales, marketing, customer service, training, support and manufacturing.

### Immediate productivity with long term value

3DVIA Composer is desktop-based in order to deliver immediate end-user productivity.

An ideal complement to the content-creation tools end-users are already familiar with, such as Microsoft® Office® applications, HTML and PDF, 3DVIA Composer is easy to learn and use.

For content consumers, 3DVIA Composer eliminates the need to learn a new desktop tool to access accurate and up-to-date deliverables.

3DVIA Composer ties desktop and enterprise systems together for both content consumers and content creators. Because it

is an XML-based architecture, 3DVIA Composer can be easily integrated with any enterprise information system, including product lifecycle management (PLM) and enterprise resource planning (ERP) applications.

3DVIA Composer can be quickly and easily deployed on users' desktops without the need for expensive back-end infrastructures. Or, 3DVIA Composer can be easily integrated with PLM and ERP systems and deployed to end users' desktops. 3DVIA Composer is the only system that delivers immediate return on investment while simultaneously being a valuable long-term integration platform that ensures consistency and accuracy across documentation processes.

### A complete system for maximum productivity

**3DVIA Composer** is a desktop application for revolutionizing the creation of product deliverables.

3DVIA Composer provides a single, easy to learn and use application designed for end users. 3DVIA Composer does not require CAD knowledge or training. Intelligent views permit complex product procedures to be effectively communicated using a minimum of text. Views can be annotated and labeled in any way and format the user wishes. In addition, 3DVIA Composer permits the creation of styles which can be applied to any content to ensure visual consistency.

Interactive animations including kinematics and reverse-kinematics, as well high-raster image outputs including SVG and CGM files, can be created easily. Producing 2D line art is quick and easy with 3DVIA Composer's built-in technical illustration capabilities.

Product information stored in ENOVIA systems can be directly accessed using the power of ENOVIA 3DLive. 3DVIA Composer users can easily and visually navigate and filter the exact 3D product configuration stored in ENOVIA, and use it to create and update their 3DVIA Composer documentation projects.

3DVIA Composer allows users to control and manage access to their intellectual property in 3DVIA Composer-generated deliverables. With "Right Manager" settings, content creators can manage access control when playing content with 3DVIA Composer Player and can also use patent-pending "Secure3D" technology to prevent copying or theft of the intellectual property. Interactive content can also be directly published to 3DVIA.com where the users can share and experience the content on-line.

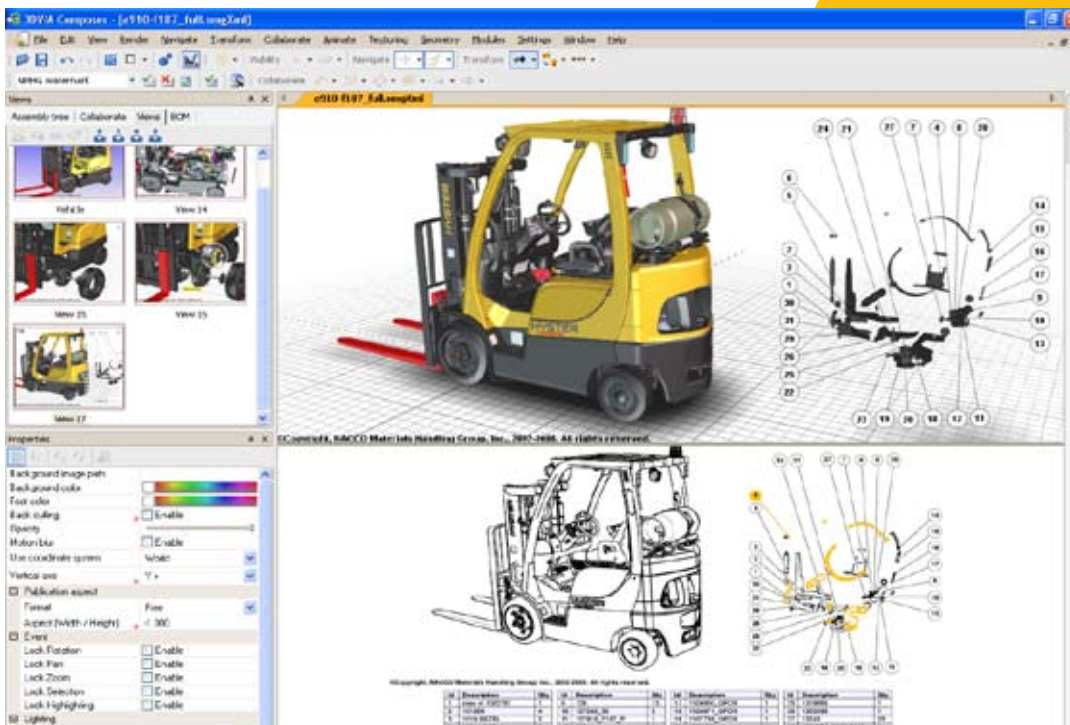
**3DVIA Composer Player**, a free utility, allows content crea-

tors to distribute 3DVIA Composer content to any end-user. 3DVIA Composer Player offers the same high performance as 3DVIA Composer. Much more than a simple viewer, 3DVIA Composer Player makes it possible for content consumers to have a highly interactive experience with product deliverables.

**3DVIA Composer Player Pro** provides a very powerful advanced Applications Programming Interface (API). 3DVIA Composer Player Pro offers the ability to query, manipulate, interact, and display -- in real time -- 3DVIA Composer content integrated with data originating from external sources. This enables the development of 3D interactive custom applications, creating lifelike experiences anywhere the 3DVIA Composer Player ActiveX can be used.

**3DVIA Sync and 3DVIA Enterprise Sync** deliver sophisticated, XML-based associativity among 3DVIA Composer and any number of enterprise systems. With 3DVIA Sync, changes in metadata, geometry, BOMs or manufacturing information can be updated on the desktop in 3DVIA Composer deliverables, guaranteeing accurate and consistent information. 3DVIA Enterprise Sync offers all of the capabilities of 3DVIA Sync plus the ability to control the processes through a command-line interface, allowing sophisticated intergrated to be implemented very quickly.

**3DVIA Check and 3DVIA Path Planning** make product deliverables more useful and instructive by validating that the procedures can actually be performed in the real world. 3DVIA Check offers dynamic and static clash detection, allowing users to quickly qualify service and assembly procedures. 3DVIA Path Planning delivers the ability to automatically create assembly and disassembly paths for parts and subassemblies to avoid collisions with the rest of the assembly. 3DVIA Path Planning allows content creators to plan and guarantee the ability to access components within the assembly to service or repair them.



3dvia  composer



helbling

Helbling Technik AG  
Helbling IT Solutions  
Hohlstrasse 614  
CH-8048 Zürich  
Telefon +41 44 986 39 39  
Telefax +41 44 986 39 19  
[www.helbling.ch](http://www.helbling.ch)

## 3DVIA

10, rue Marcel Dassault  
78140 Velizy Villacoublay  
FRANCE

300 Baker Ave.  
Concord, MA, USA 01742

[www.3dviacomposer.com](http://www.3dviacomposer.com)

### About 3DVIA:

3DVIA is Dassault Systèmes' brand for lifelike 3D experiences. 3DVIA extends 3D to new users, businesses and consumers in order to create new communities with 3D as the common language. With its open web services-based architecture, it enables high-performance distribution of 3D content. 3DVIA also delivers authoring products that revolutionize 3D product publishing and the Virtools platform for developing interactive, real-time applications.

For more information about 3DVIA, go to: <http://www.3dvia.com>.

3D VIA and the 3DS logo are registered trademarks of Dassault Systèmes or its subsidiaries in the US, other countries or both. © Dassault Systèmes 2007. All rights reserved. Printed in the USA.

Picture courtesy of: NACCO Materials Handling Group, Inc.

3dvia 